

Drawing



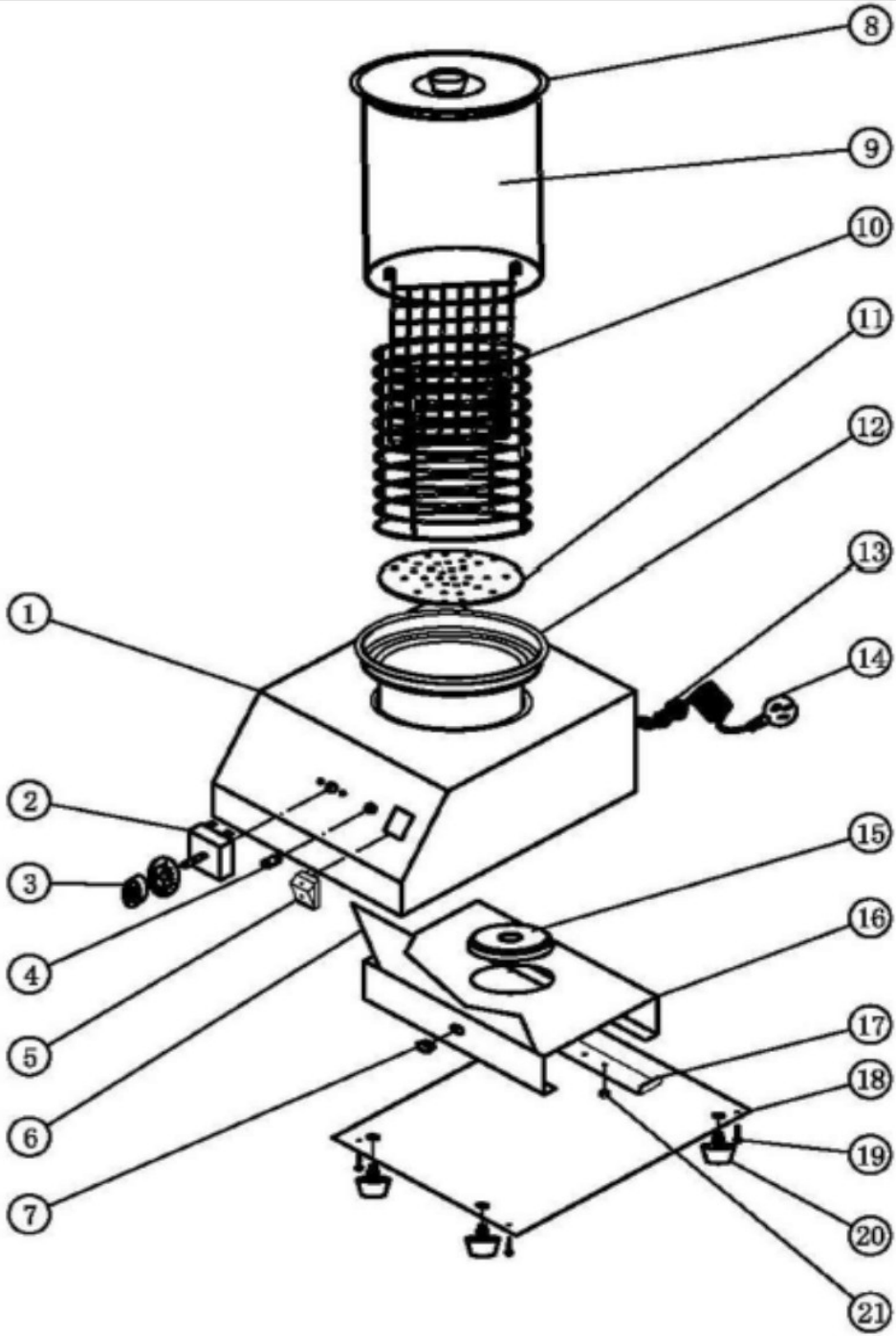
Hendi B.V.  
Steenoven 21  
3911 TX Rhenen  
The Netherlands

Batch #  
0000000


Appliance part#  
265000

Description  
Sausage Warmer

Date	22-11-2011	Revision #	Revision version
Revision	First bill of materials (BOM)		



### Bill of materials (BOM)

 <p><b>Hendi B.V.</b> Steenoven 21 3911 TX Rhenen The Netherlands</p>	<b>Batch #</b>	<b>Appliance part#</b>
	0000000	265000
	<b>Description</b>	
Sausage Warmer		


<b>Date</b>	22-11-2011	<b>Revision #</b>	Revision version
<b>Revision</b>	First bill of materials (BOM)		

Item	Description	Part#	Quantity	Remark	Picture
1	Housing	n/a	1		
2	Energy regulator	201121	1		
3	Knob	921104	1		
4	Indicator light	921111	1		
5	Switch	205426	1		
6	Bracket	n/a	1		
7	Grommet	n/a	1		
8	Lid	921128	1		
9	Glas cilinder	921135	1		
10	Grid	n/a	1		
11	Grid	n/a	1		
12	Pan	921166	1		
13	Inlet with retention	912201	1		
14	Power chord (H05RN-F 3Gx1,0mm <sup>2</sup> )	930038	1		
15	Element	265024	1		
16	Bracket element	n/a	1		
17	Bracket	n/a	1		
18	Bottom cover	n/a	1		
19	Screw	n/a	4		
20	Foot	921159	4		
21	Nut	n/a	1		

n/a -> not available

nss -> not sold separately

Circuit diagram

 <b>Hendi B.V.</b> Steenoven 21 3911 TX Rhenen The Netherlands	<b>Batch #</b>	<b>Appliance part#</b>
	0000000	265000
	<b>Description</b>	
	Sausage Warmer	

<b>Date</b>	22-11-2011	<b>Revision #</b>	Revision version
<b>Revision</b>	First bill of materials (BOM)		

**Not available.**